

D100 Series Projectors

Wireless desktop
projectors for effortless
presentations: easy to
use with low running
costs



WXGA and XGA wireless desktop projectors with 2600-3200 lumens brightness



Make your point effectively with these portable business projectors that deliver crisp, bright presentations. With the added attraction of low running costs and wireless connectivity, they're ideal for smaller businesses and corporates alike.

VPL-DX120/DX126 XGA resolution with 2600 lumens
VPL-DX140/DX146 XGA resolution with 3200 lumens
VPL-DW120/DW126 WXGA resolution with 2600 lumens

Sony D100 Series desktop projectors offer an ideal blend of portability, wireless connectivity, environmentally friendly features and low running costs. Weighing just 2.5kg, they're easy to carry from room to room. Quick to set up and refreshingly simple to use, they're ideal presentation partners for small- to medium-sized meeting spaces and boardrooms.

The DX120/DX126 and DX140/DX146 offer XGA resolution with a maximum colour light output of 2600 and 3200 lumens respectively. The DW120/DW126 offer even greater WXGA resolution for detail-packed presentations with a maximum output of 2600 lumens.

Sony BrightEra™ panel technology assures clear, high contrast pictures in virtually any conditions. Three brightness modes tailor light levels to suit different presentation requirements, from bright daylight to darkened meeting rooms. There's also a choice of Picture Modes to optimise viewing with any source, whether you're projecting videos, PC documents or web sites.

Wireless connectivity comes as standard (DX126, DX146, DW126 models), giving the freedom to present directly from a PC, smartphone or tablet with no wires to slow you down. Alternatively, connect to local office networks or slip in a USB drive (DX126, DX146, DW126) for effortless 'PC-free' presentations.

Running costs are reduced thanks to a wide range of smart energy-saving features. And with extended lamp life up to 7,000 hours, downtime and maintenance costs are minimised further.

Other Features

Up to 7000 hours lamp life for less maintenance and down time

Longer lamp life and reduced maintenance contribute directly to lower lifetime ownership costs. Filter cleaning cycles are synchronised with lamp replacement, cutting scheduled maintenance visits even further.

Save energy at the touch of a button

Easily select power-saving Eco Modes with a single button push; additional Eco settings are easily accessible via intuitive menus.

Picture Mute (Instant Off/On)

Touch a button on the projector remote and the picture's muted instantly – cutting power consumption down to 30% and saving lamp hours. Another touch and the projector's instantly powered back up to resume your presentation. There's also a separate button to mute audio only.

Auto Dimming

Projector brightness is gradually reduced automatically if there's no input signal, or after a pre-set time – cutting power consumption and saving energy bills.

Off and Go

Switch off and unplug at the end of your presentation, then move on to your next meeting while the projector is still cooling down without damage to the lamp.

Direct Power On/Off

There's no need to go through Standby mode when powering up the projector: the projector activates as soon as power is supplied.

Picture Freeze*

Picture Freeze is useful during presentations where users need to look at other material on their PC's screen without the viewing audience being aware. Freeze the current image and users can use their PC independently of the display from the projector.

Auto Input Search

The projector automatically switches to the correct input, simplifying set-up and saving time.

Security that's built in

Your investment's protected with security measures including password protection, panel key lock, mechanical security lock and anti-theft bar.

*Available only on the VPL-DX126, VPL-DX146 and VPL-DW126.

Optional Accessories

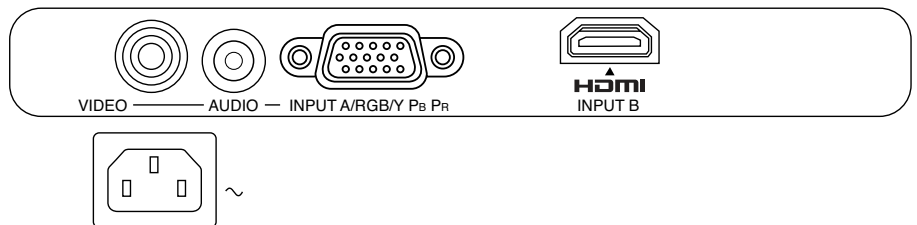
LMP-D213

Replacement Projector Lamp

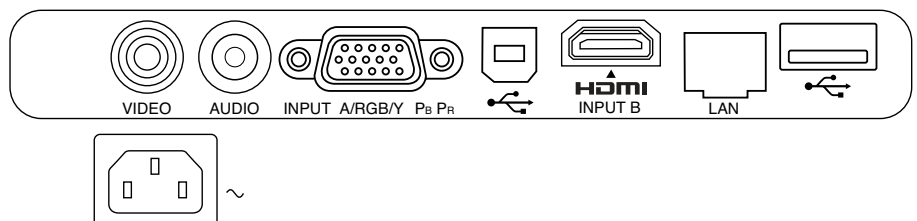


Connector Panels

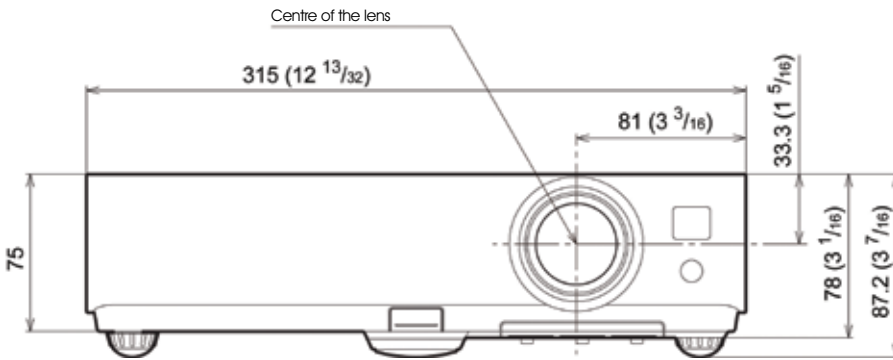
Rear connector panel for VPL-DX120, VPL-DX140 and VPL-DW120 projectors



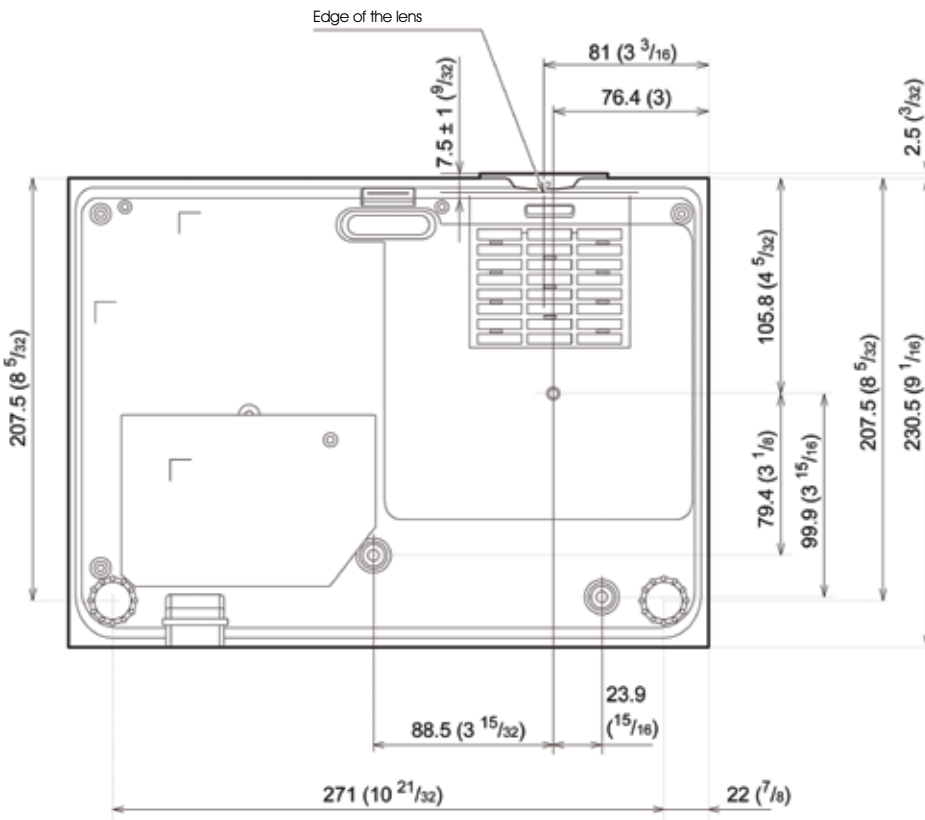
Rear connector panel for VPL-DX126, VPL-DX146 and VPL-DW126 projectors



Front Dimensions for the D100 Series projectors



Bottom Dimensions for the D100 Series projectors



All Sony Professional's Desk Top (D100 Series) business projectors sold into the EU, Norway and Switzerland come supplied with a 2 year projector and 1 year lamp/1000 hour lamp cover PrimeSupport pack. This offers unique services and benefits over and above standard warranty:-

2 Year Projector and 1 Year Lamp/1000 Hour PrimeSupport Cover Freephone telephone helpdesk support (00800 7898 7898) in 5 languages. Collection, repair and return anywhere in EU, Norway and Switzerland.

In addition, optional PrimeSupport Plus packs can be purchased which can further enhance the 3 year support to give extra peace of mind:-

- A 1 year extension of the standard 2 year PrimeSupport to give long-term assurance of expert support, technical assistance and repairs for 3 years from purchase date.
- A 3 year extension of the standard 2 year PrimeSupport to give long-term assurance of expert support, technical assistance and repairs for 5 years from purchase date.
- Cover for a lamp failure throughout the 3 year PrimeSupport term for customers who don't want to have any unexpected running costs.

Key Features

Clear, bright images

Easily view clear presentations in any small- to mid-sized meeting room or boardroom. All models offer a choice of three brightness modes to suit any environment, from bright daylight to darkened rooms.

XGA/WXGA resolution for crisply detailed presentations

The native XGA (1024 x 768) 4:3 resolution panel of the DX120/DX126 and DX140/DX146 offers plenty of clear detail: perfect for making presentations direct from a laptop, PC or mobile device. The DW120/DW126 features an even higher resolution WXGA (1280 x 800) 16:10 panel for detail-packed presentations that really stand out.

3LCD BrightEra™ Technology

The efficient 3LCD panel system is enhanced by advanced BrightEra™ technology by Sony. You'll see the difference with impressively bright, high resolution images and increased panel reliability.

Generous throw ratio adjustment

The versatile throw ratio adjustment range (depends on model) accommodates simple setup in most room sizes.

Six Picture Modes to suit any subject

A choice of six picture modes (Dynamic, Standard, Game, Blackboard, Cinema and Presentation) offers optimised picture quality with any source material. Picture modes can be combined with three brightness modes (High, Standard, Low) to suit virtually any presentation requirement.

Vertical Keystone Adjustment

Even if the projector is aligned too high or too low in relation to the screen, keystone adjustment electronically adjusts the projected image for an accurately-proportioned picture with true verticals.

Smart APA (Auto Pixel Alignment)

Phase, Pitch and Shift values are automatically optimised when using the projector with a PC source.

Networked and Wireless Features

Present wirelessly from mobile devices (DX126, DX146, DW126)

The supplied IFU-WLM3 USB Wi-Fi module allows easy cable-free connection with other devices, from PCs to smartphones or tablets. Download the Pixelworks VueMagic Pro app for iOS and make wireless presentations direct from your iPhone, iPod touch or iPad (Android version available late 2013).

Deliver presentation via the network (DX126, DX146, DW126)

It's easy to project presentations from a network-connected PC, either wirelessly or via a LAN cable. Projector functions and status can also be monitored and managed remotely from any PC on the network.

View image files straight from USB (DX126, DX146, DW126)

Slip in a USB drive to effortlessly display photos, images and graphics with no PC needed.



 **BrightEra™**

Specifications

		VPL-DX120/VPL-DX126		VPL-DX140/VPL-DX146		VPL-DW120/VPL-DW126	
Display system		3 LCD system					
Display device	Size of effective display area	0.63" (16 mm) x 3, BrightEra, Aspect ratio: 4:3		0.63" (16 mm) x 3, BrightEra, Aspect ratio: 4:3		0.59" (15 mm) x 3, BrightEra, Aspect ratio: 16:10	
	Number of pixels	2,359,296 (1024 x 768 x 3) pixels		2,359,296 (1024 x 768 x 3) pixels		3,072,000 (1280 x 800 x 3) pixels	
Projection lens	Zoom (Manual)	x1.2		x1.3			
	Throw Ratio	1.47 to 1.77		1.37 to 1.80		1.44 to 1.87	
	Focus	Manual					
	Digital Zoom	x4					
	Light source	High-pressure mercury lamp 210 W type					
	Recommended lamp replacement time*1	3000 H / 5000 H / 7000 H (Lamp mode: High / Standard / Low)					
	Filter cleaning cycle	Max. 1000 Hours (low mode)					
	Screen size	30" to 300" (0.762M to 7.62m) Diagonal					
	Light output (Lamp mode: High / Standard / Low)	2600 lm / 1900 lm / 1700 lm		3200 lm / 2300 lm / 1900 lm		2600 lm / 1900 lm / 1500 lm	
	Color light output	2600 lm / 1900 lm / 1700 lm		3200 lm / 2300 lm / 1900 lm		2600 lm / 1900 lm / 1500 lm	
Contrast ratio (full white / full black)	2500:1						
Speaker	1 W x 1 (monaural)						
Displayable scanning frequency	Horizontal	15 kHz to 92 kHz					
	Vertical	48 Hz to 92 Hz					
Display resolution	Computer signal input	Maximum input signal resolution: UXGA 1600 x 1200 (resizing display), Panel display resolution: 1024 x 768 pixels (VPL-DX120 / DX126 and VPL-DX140 / DX146), 1280x800 pixels (VPL-DW120 and VPL-DW126)					
	Video signal input	Video (composite), 15k (480/60i, 576/50i), DTV (480/60p, 576/50p, 720/60p, 720/50p, 1080/60i, 1080/50i 1080/60p, 1080/50p)					
	Color system	NTSC3.58, PAL, SECAM, NTSC4.43, PAL-M, PAL-N					
	Keystone correction	Vertical: Max. +/- 30 degrees					
	OSD language	23-language (English, French, German, Italian, Spanish, Portuguese, Japanese, Chinese (简・繁), Korean, Russian, Dutch, Norwegian, Swedish, Thai, Arabic, Turkish, Polish, Vietnamese, Farsi, Finnish, Indonesian, Hungary)					
Computer and video signal input/output	INPUT A	RGB / Y PB PR input connector: Mini D-sub 15-pin (female), Audio: Stereo mini jack / Shared with Video In					
	INPUT B	HDMI (Digital RGB/Y Pb Pr, Digital Audio) HDCP Support					
	VIDEO IN	Video input connector: Pin jack, Audio: Stereo mini jack / Shared with Input A					
	LAN	RJ-45 10 BASE-T/100 BASE-TX (VPL-DX126 only)	RJ-45 10 BASE-T/100 BASE-TX (VPL-DX146 Only)	RJ-45 10 BASE-T/100 BASE-TX (VPL-DW126 Only)			
	USB	TYPE A, TYPE B (VPL-DX126 only)		TYPE A, TYPE B (VPL-DX126)		TYPE A, TYPE B (VPL-DW126)	
Operating temperature (Operating humidity)	0°C to 35°C / 32°F to 95°F (20% to 80% (no condensation))						
Storage temperature (Storage humidity)	-20°C to +60°C / +4°F to +140°F (20% to 80% (no condensation))						
Power requirements	AC 100 V to 240 V , 2.9 A - 1.2A 50 Hz /60 Hz						
Power consumption	AC 100 V to 120 V	282W / 227W / 193W	290W / 229W / 205W	283W / 226W / 192W	291W / 229W / 199W	273W / 226W / 193W	294W / 223W / 197W
	AC 220 V to 240 V	270W / 218W / 186W	278W / 221W / 198W	269W / 218W / 186W	279W / 223W / 194W	262W / 287W / 187W	280W / 217W / 192W
Standby mode power consumption	AC 100 V to 120 V	<0.5 W (Standby mode: Low)					
	AC 220 V to 240 V	<0.5 W (Standby mode: Low)					
Heat dissipation	AC 100 V to 120 V	990 / 991 BTU		990 / 992 BTU		990 / 1004 BTU	
	AC 220 V to 240 V	955 / 949 BTU		955 / 951 BTU		955 / 956 BTU	
Standard outside dimensions	W 315 x H 87.2 x D 233 mm W 315 x H 75 x D 230.5 mm (without protrusion)						
Mass	2.5kg / 5lb 7oz						
Supplied Accessories	AC Power Cord Remote Commander RM-PJ8 (1) CR2025, Lithium Battery (1) Mini D-sub 15-pin cable (1) Lens Cap (1) Operating Instructions (1) WEEE, EU Battery Info, Service Documentation Quick Reference Manual (1) Carrying Case Wireless LAN Module IFU-WLM3 (1) - DX126, DX146 and DW126 models only						
Optional Accessories	LMP-D213, Replacement Projector Lamp PAM-200, Mounting Bracket						

*1 Hours are approximate

© 2013 Sony Corporation. All rights reserved. Reproduction in whole or in part without permission is prohibited. Features and specifications are subject to change without notice. All non-metric weights and measurements are approximate. Sony and make.believe are trademarks of Sony Corporation. All other trademarks are the property of their respective owners.

Distributed by

Professional Solutions Europe is the leading supplier of AV/IT solutions to businesses across a wide variety of sectors including, **Media and Broadcast, Video Security and Retail, Transport & Large Venue markets**. It delivers products, systems and applications to enable the creation, manipulation and distribution of digital audio-visual content that add value to businesses and their customers. With over 25 years' experience in delivering innovative market-leading products, **Professional Solutions Europe** is ideally placed to deliver exceptional quality and value to its customers. Sony's **Professional Services** division, its systems integration arm, offers its customers access to the expertise and local knowledge of skilled professionals across Europe. Collaborating with a network of established technology partners, Professional Solutions Europe delivers end to end solutions that address the customer's needs, integrating software and systems to achieve each organisations' individual business goals. For more information please visit www.pro.sony.eu

HCT_VPL-D-Series_J2087_UK_06/08/2013

SONY
make.believe